

Concealed Hinges

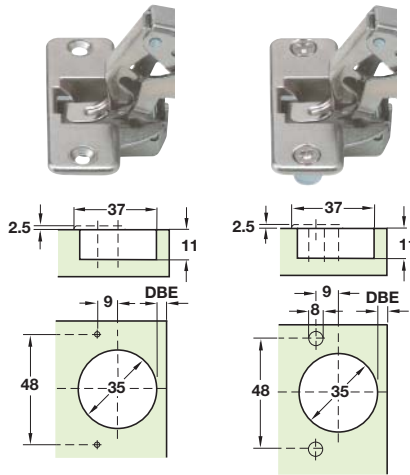
Grass Standard 170° Hinges



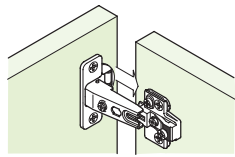
- Opening angle **170°**
- 0 mm or 8 mm crank
- Sprung
- Ø 35 mm cup
- Screw fixing, dowel fixing or NT Quick fixing
- Choice of slide on or click on arms
- **With finger protection**
- Heavy duty, for doors up to **26 mm** thick
- For doors more than **23.5 mm** please try test installation first
- Cup: Nickel-plated zinc alloy, NT version die-cast
- Arm: Nickel-plated zinc alloy
- **Mounting plates** for slide on or click on hinges are shown on pages **22-24**
- Soft close compatible on sprung hinges

Screw fixing

Dowel fixing



Soft close clip on fitting for sprung hinges shown on page 25
Fitting clips onto hinge arm

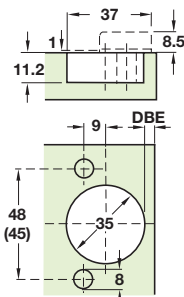


Slide on

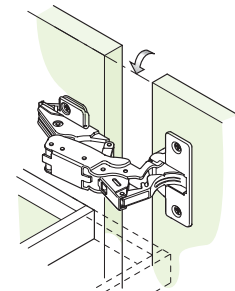
Crank	Screw fixing
0	323.21.609
8	323.21.618

Order qty: Multiples of 10 pcs

NT Quick fixing



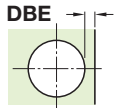
Will also fit 45 mm drilling pattern



Zero protrusion for application with inset drawers. With 00 cranking and 00 height of mounting plate the door is flush with the cabinet at 90°

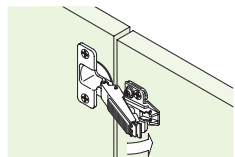
Doors do not protrude past the inside of cabinet side in the 90°-170° position

- DBE** = Distance of the bore from the edge of the door
- e** = Coverage of the side (end) by door
- f** = Mounting plate thickness



6

Hinges



Click on

Crank	Screw	Dowel	NT Quick
0	322.21.630	322.21.670	322.58.630
8	322.21.631	-	-

Order qty: Multiples of 10 pcs



Opening angle reduction clip

- Reduces the opening angle to 120°
- Prevents doors from colliding with the cabinet side in inset or mitred corner applications
- Black plastic

Opening angle reduction clip	Cat. No.
For use with 170° hinge	322.66.320

Order qty: 1 pc

Mounting screws

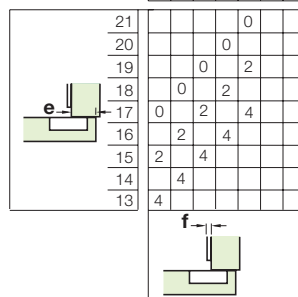
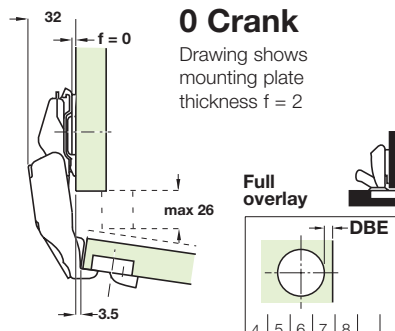
- Hospa chipboard screws, raised head, Ø 3.5 mm with cross slots
- Nickel-plated steel



Length	Cat. No.	Order qty
15 mm	015.55.639	1000
17 mm	015.55.648	1000
20 mm	015.55.657	1000

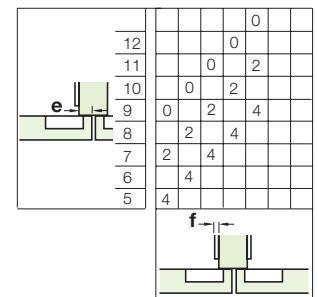
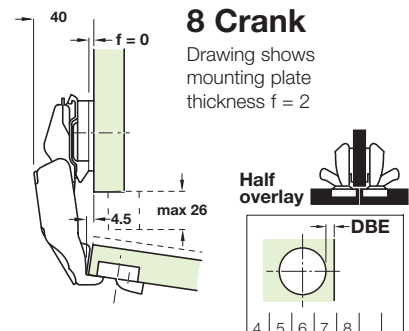
0 Crank

Drawing shows mounting plate thickness $f = 2$



8 Crank

Drawing shows mounting plate thickness $f = 2$



TCH-FF 2010, HUK. Dimensional data not binding. We reserve the right to alter specifications without notice.